

96W waterproof LED Power Supply



Features :

- IP67 design for indoor or outdoor installations
- Protections: Short circuit/Overload/Over temperature
- Cooling by free air convection
- 100% full load burn-in test
- Suitable for LED lighting
- Products through ETL, CE, RoHS Certification
- 2 years warranty

IP67 SELV ETL CE RoHS

SPECIFICATION

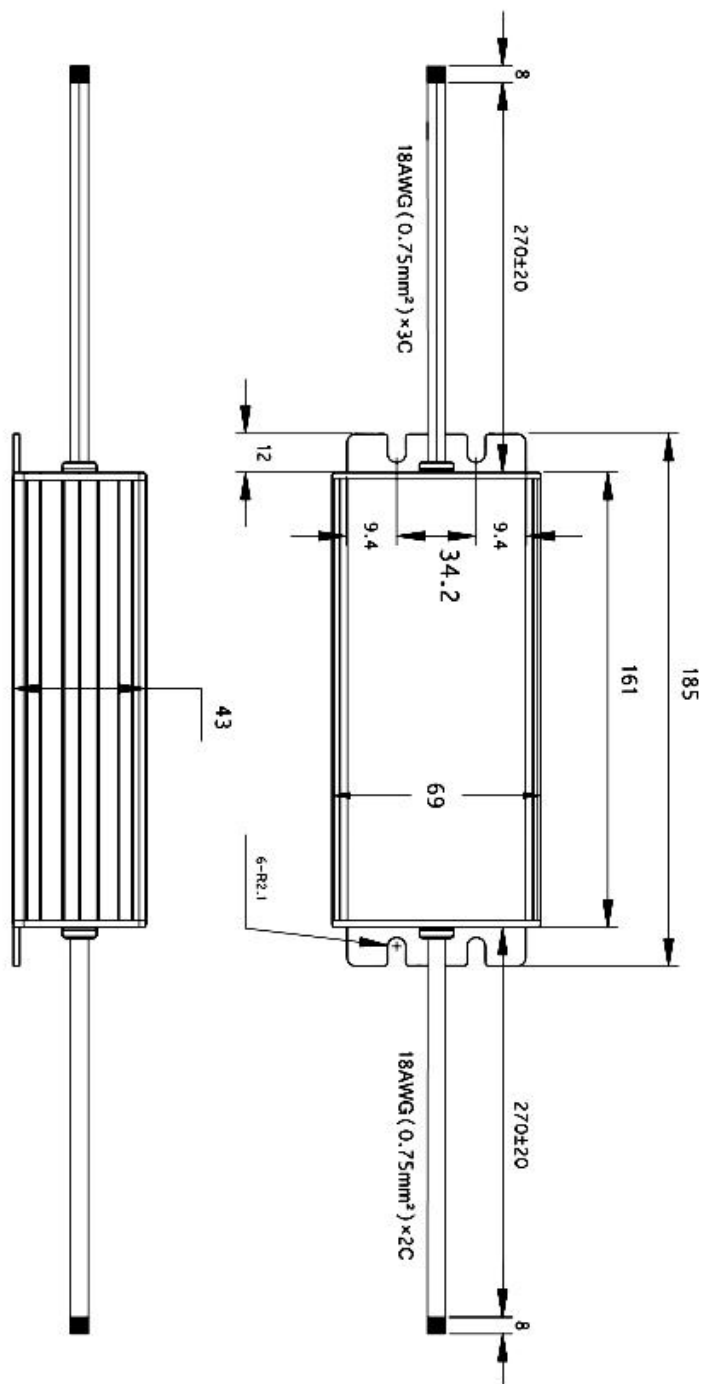
| MODEL | | SMT-012-096VW | SMT-024-096VW | | |
|-------------|---|--|---------------|--|--|
| OUTPUT | DC VOLTAGE | 12V | 24V | | |
| | RATED CURRENT | 8.33A | 4A | | |
| | CURRENT RANGE | 0~8A | 0~4A | | |
| | RATED POWER | 96W | 96W | | |
| | RIPPLE&NOISE(max) | 150mV | 150mV | | |
| | VOLTAGE TOLERANCE | ±0.5V | ±0.5V | | |
| | SETUP RISE TIME | 80ms/110V, 220VAC | | | |
| | HOLD UP TIME(Typ.) | 60ms/110V, 220VAC | | | |
| INPUT | VOLTAGE RANGE | 100~265VAC | | | |
| | FREQUENCY RANGE | 50~60Hz | | | |
| | POWER FACTOR(Typ.) | | | | |
| | EFFICIENCY(Typ.) | > 83% | | | |
| | AC CURRENT(Typ.) | 0.92A/110VAC, 0.86A/220VAC | | | |
| | INRUSH CURRENT (Typ.) | COLD START 50A/110VAC, 220VAC | | | |
| PROTECTION | Short circuit | Protection type:recovers automatically after condition is removed | | | |
| | Overload | overload protected@145-160% above peak rating | | | |
| | Over temperature | Protection type:Shut down o/p voltage,re-power on to removed | | | |
| ENVIRONMENT | WORKING TEMP. | -30~+50°C (Refer to output load derating curve) | | | |
| | WORKING HUMIDITY | 20~99% RH non-condensing(Waterproof IP67) | | | |
| | STORAGE TEMP.,HUMIDITY | -40~+80°C, 10~99%RH | | | |
| SAFETY&EMC | SAFETY STANDARDS | CE ETL Mark (LVD) | | | |
| | WITHSTAND VOLTAGE | I/P-O/P:1.5KVAC IP-GND:1.5KVAC | | | |
| | EMC Test Standards | EN55015:2006;EN61547:1995+2000;EN61000-3-2:2006 EN61000-3-3:1995+A2:2005;EN61346-1:2001;EN61347-2-13:2006 | | | |
| NOTE | 1.All parameters NOT specially mentoned are measured at 110VAC,220VAC input,rated load and 25°C of ambient temperatu 2.Ripple&noise are measured at 20MHz of bandw idth by using a 12" tw isted pair-w ire terminated w ith a 0.1uf&10uf parallel capacitor. 3.Tolerance:includes set up tolerance,line regulation and load regulation. | | | | |

Quanzhou Smarts Electronic & Technology Co.,Ltd

7th Floor Hengxin building No.9 Chifeng Rd. Licheng dist., Quanzhou, Fujian, China

Tel.:+86 (595) 2725 6889 | Fax:+86 (595) 2246 5526 | E-mail: steven@smartselectronic.com.cn

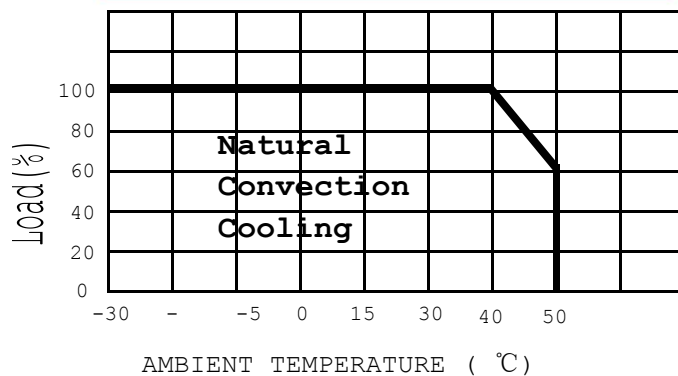
Mechanical Specification



Others

| | |
|-----------------|---------------------|
| DIMENSION | 185×69 43mm (L×W×H) |
| CARTON QUANTITY | 20pcs/carton |
| CARTON SIZE | 309×279×176mm |
| WEIGHT | 0.9Kg/pcs |

Derating Curve



e.

Cable Model of input : VDE H03VV-F 3G0.75mm²

Cable Model of output: VDE H03VV-F 2*0.75mm²

Quanzhou Smarts Electronic & Technology Co.,Ltd

7th Floor Hengxin building No.9 Chifeng Rd. Licheng dist., Quanzhou, Fujian, China

Tel. :+86 (595) 2725 6889 | Fax:+86 (595) 2246 5526 | E-mail: steven@smartselectronic.com.cn